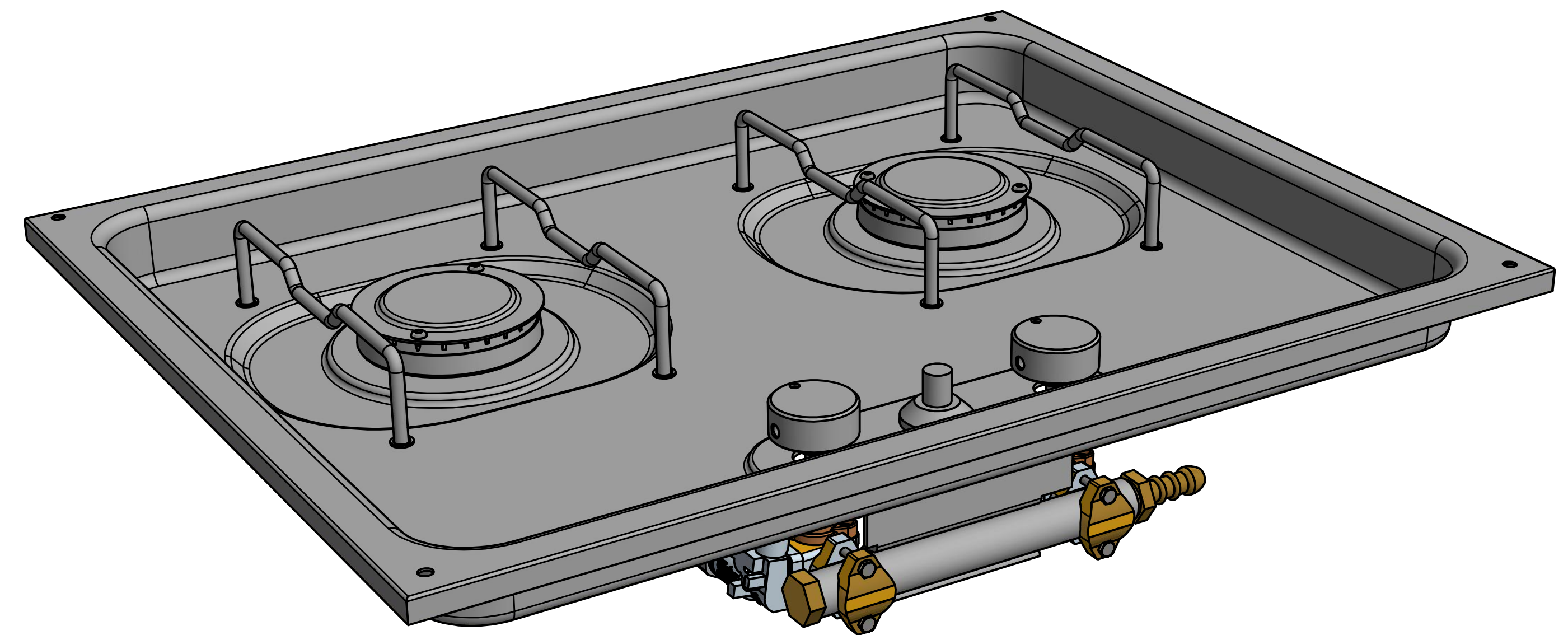
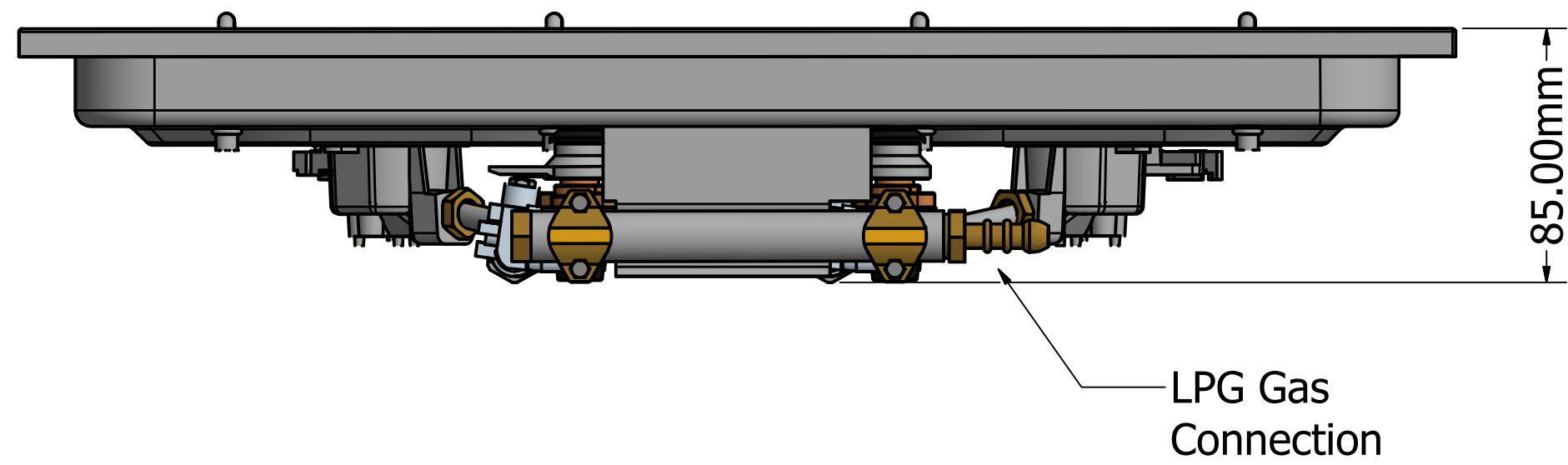


Model : S3000
 Gas Type : LPG (Only)
 Operating Gas Pressure : 2.8kPa
 Injector Hole size : 0.6mm
 Gas Consumption : 125g/h per burner



DRAWN	Karl Hansen	2020/06/09	Hansen Water Heaters		
CHECKED			TITLE		
QA			Gas Stove S3000		
MFG			SIZE	DWG NO	REV
APPROVED			D	Hansen Gas Hob S3000	
			SCALE 1 / 2		SHEET 1 OF 1